

# DelVal<sup>®</sup> Series 84 Mounting Kits



## Engineered Brackets and Coupling

DelTech Controls is pleased to introduce an engineered, close-mounting bracket and coupling system for automating the DelVal Series F (Floating) and Series DC / DS (Threaded) Ball Valves and other manufacturers' ball valves. All brackets and couplings are supplied in a kit consisting of a bracket, coupling, o-rings and mounting hardware. Brackets have a three-coat, offshore protective coating system consisting of a zinc base coat applied to the sandblasted bracket. It is then prepared with a special tie coat and finished and protected with a light gray polyurethane top coat.

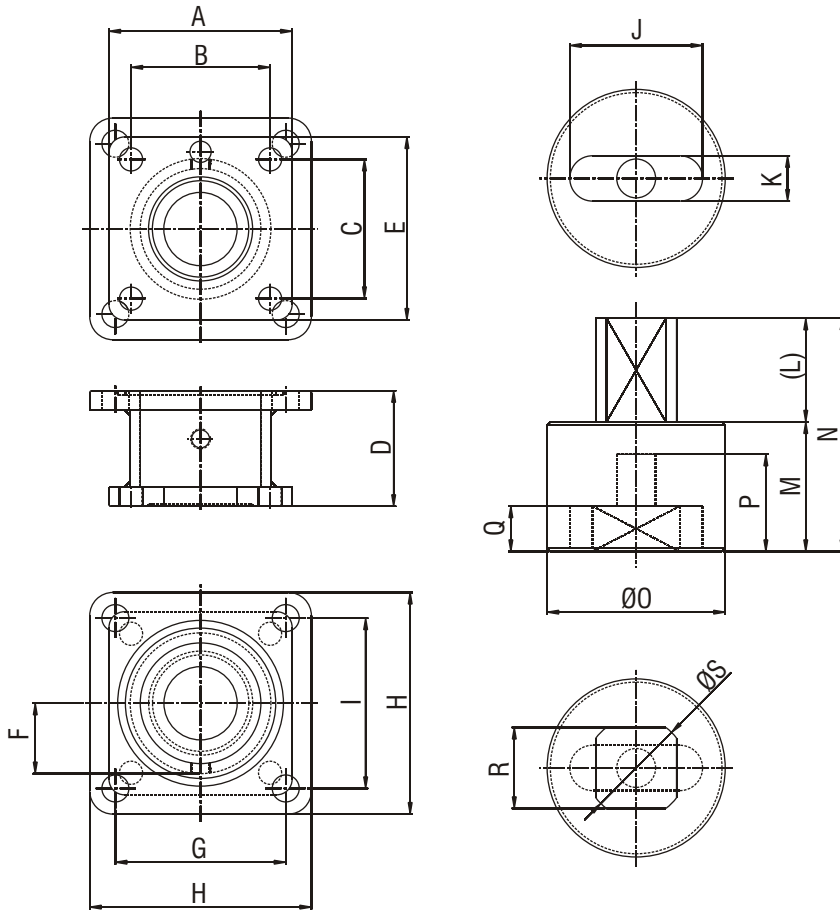


Floating Ball Valve



Threaded Ball Valve

# Engineering

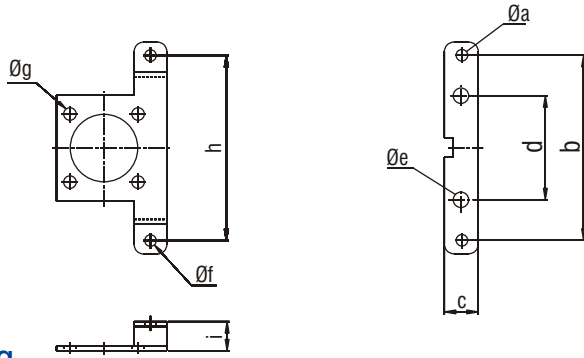


## FLOATING BALL VALVE

| Dimensions (Inches) |          |          |          |          |          |
|---------------------|----------|----------|----------|----------|----------|
| Bracket No.         | 84F10112 | 84F10312 | 84F10422 | 84F60322 | 84F60423 |
| A                   | 1.96     | 2.75     | 3.74     | 3.74     | 4.13     |
| B                   | 1.18     | 1.96     | 2.83     | 2.83     | 3        |
| C                   | 3.34     | 4.25     | 2.83     | 2.83     | 3        |
| D                   | 1.57     | 2.36     | 2.36     | 2.36     | 2.36     |
| E                   | 4.13     | 5.1      | 3.74     | 3.74     | 4.13     |
| F                   | 1.57     | 2.12     | 1.57     | 1.57     | 1.57     |
| G                   | 3.5      | 3.5      | 3.47     | 3.47     | 4.59     |
| H                   | 4.6      | 4.6      | 4.52     | 4.52     | 6.49     |
| I                   | 3.5      | 3.5      | 3.47     | 3.47     | 4.59     |
| J                   | 1.22     | 1.73     | 1.88     | 1.73     | 1.88     |
| K                   | 0.56     | 0.63     | 0.74     | 0.62     | 0.74     |
| L                   | 1.25     | 1.25     | 1.37     | 1.37     | 2.51     |
| M                   | 1.01     | 1.57     | 1.81     | 1.81     | 1.81     |
| N                   | 2.27     | 2.83     | 3.16     | 3.18     | 4.33     |
| O                   | 2.12     | 2.16     | 2.28     | 2.16     | 2.36     |
| P                   | 0.866    | 1.18     | 1.53     | 1.37     | 1.53     |
| Q                   | 0.5      | 0.62     | 0.98     | 0.82     | 0.98     |
| R                   | 0.866    | 0.86     | 1.06     | 1.06     | KEY (10) |
| S                   | 1.11     | 1.11     | 1.37     | 1.37     | 1.81     |

PLATE- A

PLATE- B



## THREADED BALL VALVE

| Dimensions (Inches) |      |      |      |           |      |      |      |      |      |
|---------------------|------|------|------|-----------|------|------|------|------|------|
| Bracket no.         | a    | b    | c    | d         | e    | f    | g    | h    | i    |
| 84B20001            | 0.25 | 3.77 | 0.66 | 1.36/2.12 | 0.25 | 0.25 | 0.25 | 3.77 | 0.59 |

## Sizing

| Type                           | Threaded Ball Valves |          | Floating Ball Valves |          |          |          |          |          |          |          |          |          |
|--------------------------------|----------------------|----------|----------------------|----------|----------|----------|----------|----------|----------|----------|----------|----------|
|                                | 2,000 PSI            |          | #150                 | #150     | #150     | #150     | #600     | #600     | #600     | #600     | #900     | #900     |
| Valve Class                    | 2,000 PSI            |          | #150                 | #150     | #150     | #150     | #600     | #600     | #600     | #600     | #900     | #900     |
| Valve Bore                     | 1"                   | 1.5"     | 1.5"                 | 2"       | 3"       | 4"       | 1.5"     | 2"       | 3"       | 4"       | 1.5"     | 2"       |
| DelTorq Rack & Pinion Actuator | 65 SR12              | 75 SR12  | 100 SR12             | 115 SR12 | 125 SR12 | 150 SR12 | 115 SR12 | 125 SR12 | 150 SR12 | 200 SR12 | 125 SR12 | 125 SR12 |
| Bracket Part Number            | 84B20001             | 84B20001 | 84F10112             | 84F10112 | 84F10312 | 84F10422 | 84F10112 | 84F10112 | 84F60322 | 84F60423 | 84F10112 | 84F10112 |

Distributor



### DelTech Controls LLC

6068 Highway 73  
Geismar, LA 70734  
USA  
Phone: (225) 744-4326  
Fax: (225) 744-4328  
Email : sales@deltechcontrols.com

Website : www.deltechcontrols.com