

DelMonitor[®] Series 83



Valve Position Monitor

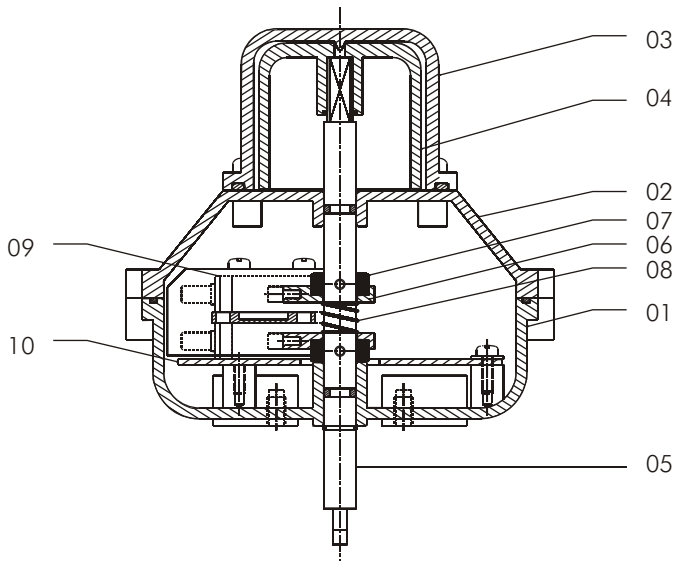
Features and Specifications

- ❖ Aluminum die cast powder coated body
- ❖ High corrosion resistance
- ❖ Polycarbonate dome
- ❖ Fully adjustable spring loaded cams for easy setting
- ❖ Special printed circuit board to eliminate all wiring from the switch elements to terminals
- ❖ Protection against short circuit
- ❖ (2) 1/2" conduit entries
- ❖ Namur mounting as standard
- ❖ Weather proof IP 65 / IP 67
- ❖ Temperature range: -20°C to 80°C
4°F to 176°F



Standard Options Available

- Cable Entry : 1/2" NPT (2)
: M20 x 1.5 (2 by adapter)
: 3/4" ET (2 by adapter)
- Brackets : Open (Metal)
- Body Material : Aluminum

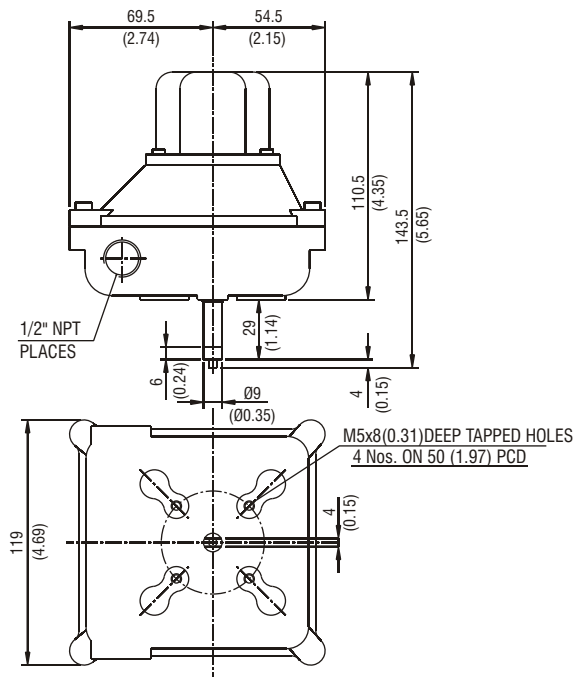


Sr.No.	COMPONENT DESCRIPTION	MATERIAL / MAKE	QTY
01	BODY	ALUMINUM	1
02	TOP COVER	ALUMINUM	1
03	DOME COVER	POLYCARBONATE	1
04	DOME INDICATOR	ABS PLASTIC	1
05	SHAFT	SS 303	1
06	CAM	ABS PLASTIC	2
07	CAM GEAR	DELTRIN	2
08	SPRING	SPRING STEEL	1
09	LIMIT SWITCH	HONEYWELL	2
10	PCB	GLASS EPOXY	1

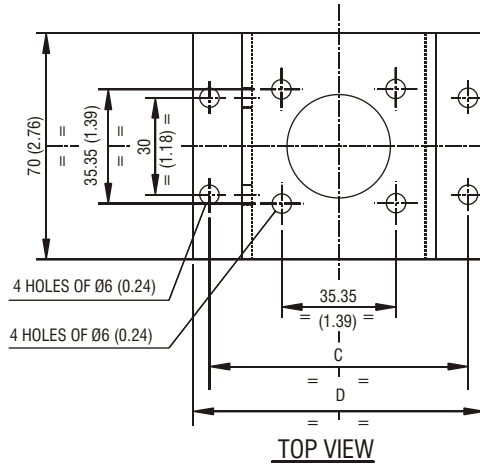
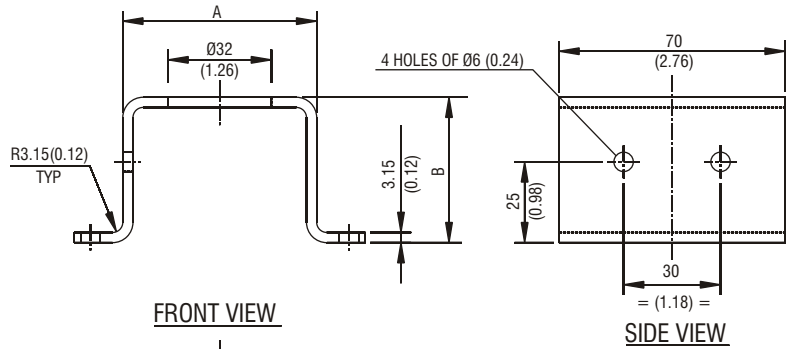
LIMIT SWITCH				
SWITCH TYPE	SWITCH MAKE	SWITCH MODEL	RATING	QTY
SPDT	HONEYWELL	V5C010EB30	10 Amps, 125 or 250 V AC, 220 V DC	2
			NO / NC	
INDUCTIVE SENSOR				
RECTANGULAR	P & F	NJ2-V3-N	8V DC, 3 mA, Namur, NC	2
		NBB3-V3-Z4	5 - 60 V DC, 100 mA, 2 Wire, NO	
CYLINDRICAL		NJ2-12-GM-N	8V DC, Namur, NC	2
		NCB2-12GM35-NO	8V DC, 3 mA, Namur, NC	
		NCB4-12GM40-Z0	5 - 60 V DC, 100 mA, 2 Wire, NO	
		NCN4-12GM35-NO	8V DC, 3 mA, Namur, NC	
SLOTTED	SLOTTED SJ 3.5 N	8V DC, 3 mA, Namur, NC	2	



DIMENSIONS: LIMIT SWITCH



DIMENSIONS: METAL BRACKET



DIMENSIONS IN mm				
ACTUATOR SIZE	A	B	C	D
045 TO 100	60	45	80	90
115 TO 200	85	55	130	145

DIMENSIONS IN INCH				
ACTUATOR SIZE	A	B	C	D
045 TO 100	2.36	1.77	3.15	3.54
115 TO 200	3.35	2.17	5.12	5.71

Note : All dimensions given in brackets are in INCHES

All statements, technical information and recommendations in the bulletin are for general use only. DelTech is not responsible for suitability or compatibility of these products in relation to system requirements. Consult DelTech distributors or factory for the specific requirements and material selection for your intended application. DelTech reserves the right to change or modify product design or product without prior notice. DelVal® - Registered trademark of DelTech Controls.

Distributor



DelTech Controls LLC

6068 Highway 73
Geismar, LA 70734
USA

Phone: (225) 744-4326

Fax: (225) 744-4328

Email : sales@deltechcontrols.com

DelVal Flow Controls Pvt. Ltd.

(A division of DelTech Controls LLC, USA)
Office & Works : Gat. No 625/1/2,
Kuruli, Tal. Khed, Pune-Nasik Highway,
Pune 410501, INDIA

Phone : +91-2135-662700

Fax: +91-2135-662727

Email : salesindia@deltechcontrols.com